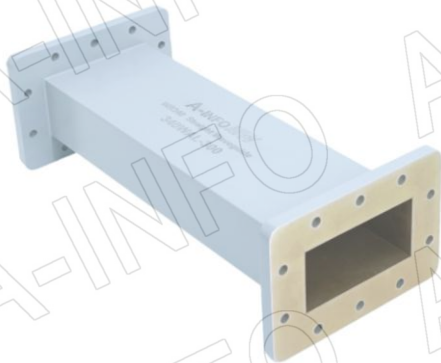


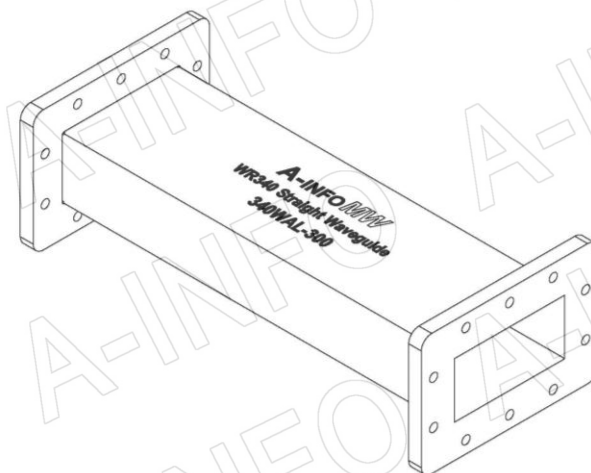
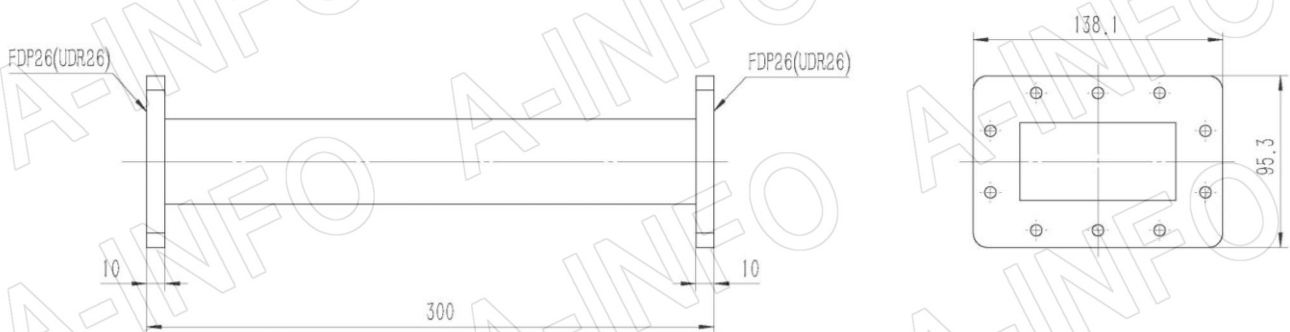
For reference only. See data sheet for the detailed specifications.

## Technical Specification



|                      |                    |
|----------------------|--------------------|
| EIA WR               | WR340              |
| Frequency Range(GHz) | 2.20 – 3.30        |
| Length(mm)           | 300                |
| Insertion Loss(dB)   | 0.1 Max.           |
| VSWR                 | 1.05:1 Max.        |
| Flange               | FDP26(UDR26)       |
| Material             | Al                 |
| Size(mm)             | 300 x 138.1 x 95.3 |
| Net Weight(Kg)       | 0.94 Around        |

## Outline Drawing (Size: mm)



**AINFO Inc.**

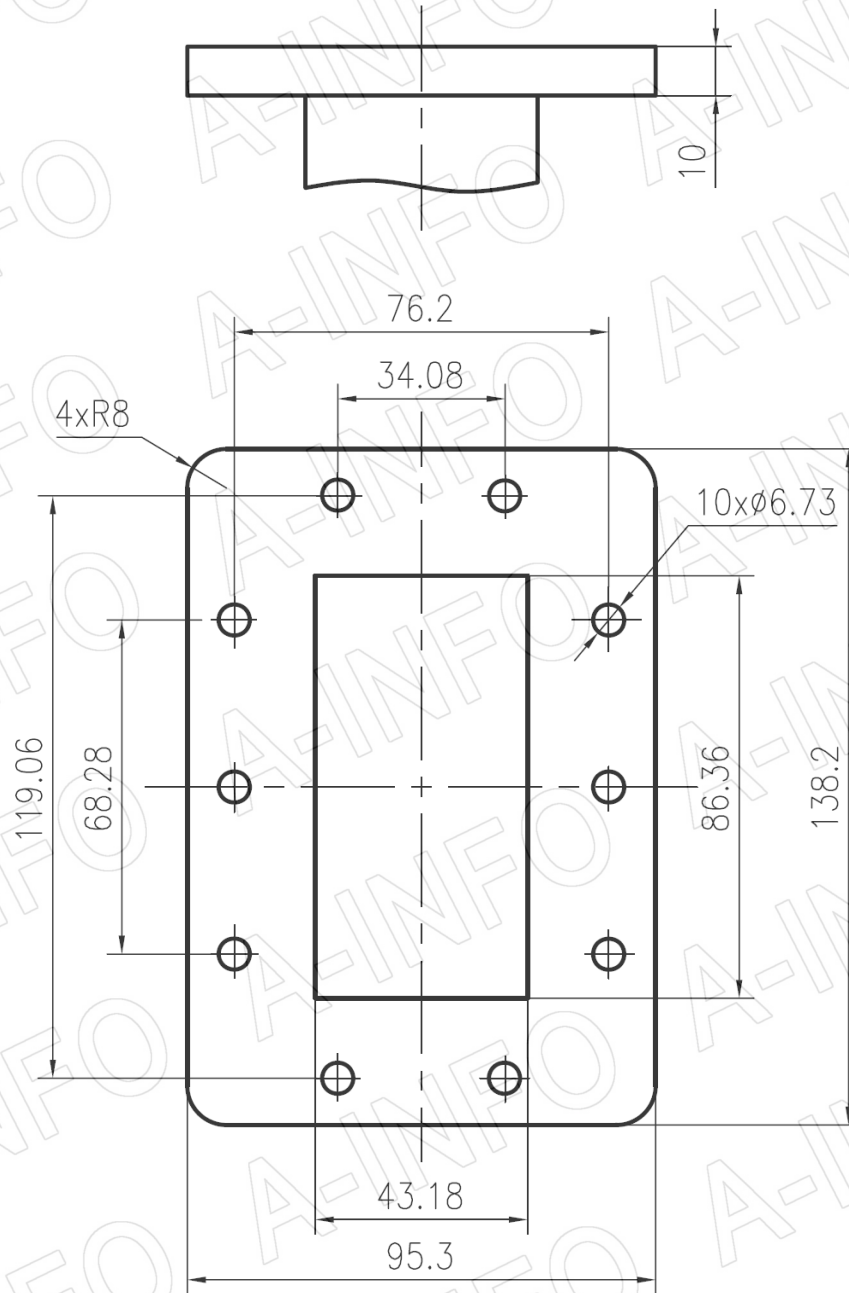
China(Beijing): Tel: (+86) 10-6266-7326,  
 China(Chengdu): Tel: (+86) 28-8519-2786,  
 USA: Tel: (+1) 949-639-9688,

Page 1 of 3

(+86) 10-6266-7327 Fax: (+86) 10-6266-7379  
 (+86) 28-8519-3044 Fax: (+86) 28-8519-3068  
 (+1) 949-639-9608 Fax: (+1) 949-639-9670

Website: [www.ainfoinc.com](http://www.ainfoinc.com)  
 Email: [sales@ainfoinc.com](mailto:sales@ainfoinc.com)

## Flange Drawing (Size: mm)



# FDP26

**AINFO Inc.**

China(Beijing): Tel: (+86) 10-6266-7326,  
China(Chengdu): Tel: (+86) 28-8519-2786,  
USA: Tel: (+1) 949-639-9688,

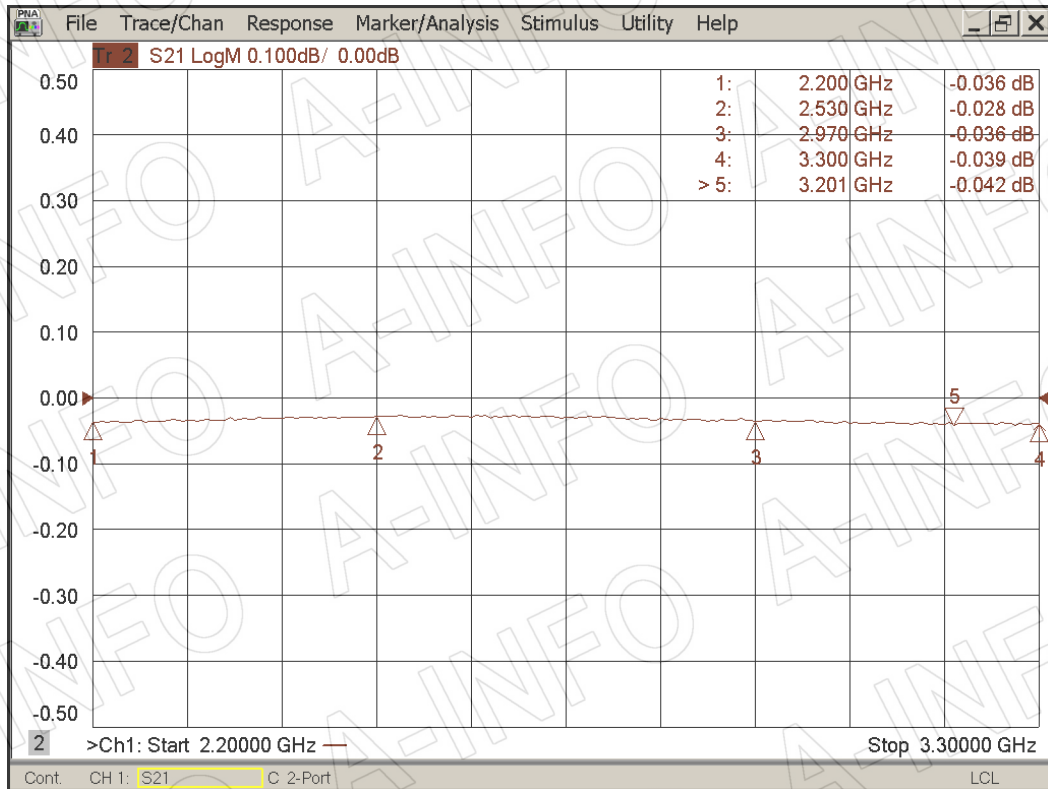
Page 2 of 3

(+86) 10-6266-7327 Fax: (+86) 10-6266-7379  
(+86) 28-8519-3044 Fax: (+86) 28-8519-3068  
(+1) 949-639-9608 Fax: (+1) 949-639-9670

Website: [www.ainfoinc.com](http://www.ainfoinc.com)  
Email: [sales@ainfoinc.com](mailto:sales@ainfoinc.com)

## Test Results

I.L.



VSWR

